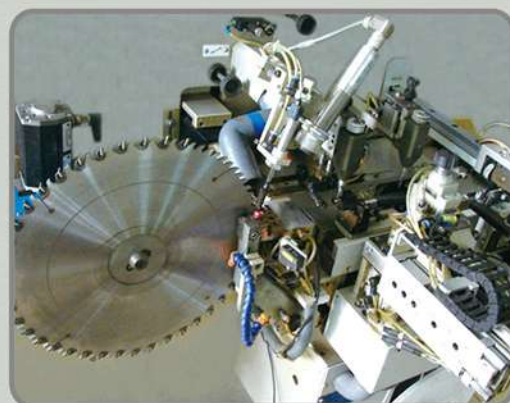


**THE BEST PRODUCT FOR YOU !**

 **WEILONG TOOLS CO.,LTD.**

 **PCD**



**TIP SAW CATALOG**  
[www.weilong-tools.com](http://www.weilong-tools.com)

**TCT SAW BLADE. PCD SAW BLADE.**

# INTRODUCTION

Weilong Tools Co., Ltd. is a specialized manufacturer of carbide alloy cutting discs. With advanced technique and equipment procured from home and abroad, as well as strong technical know-how expertise, assisted by the first-class production center, first-class heat treatment center and first-class testing center, under strict quality control, we make high quality cutting discs of quality alloy material.

Our major products: Carbide alloy carpentry discs, grass cutting discs, iron cutting discs, aluminium cutting discs, PCD saw blade, and the cutting discs matching for electrical tools, etc., in almost 200 specifications. The products are sold to marketplace in countries and regions of Japan, USA, Australia and so on, enjoying wide popularity among the customers.

We have enacted development blueprint for short future, i.e. Making Weilong the pace-setter of alloy tools sector with help of intensive hi-new tech, capital input as well as stronger quality control mechanism.

## Honor comes from quality

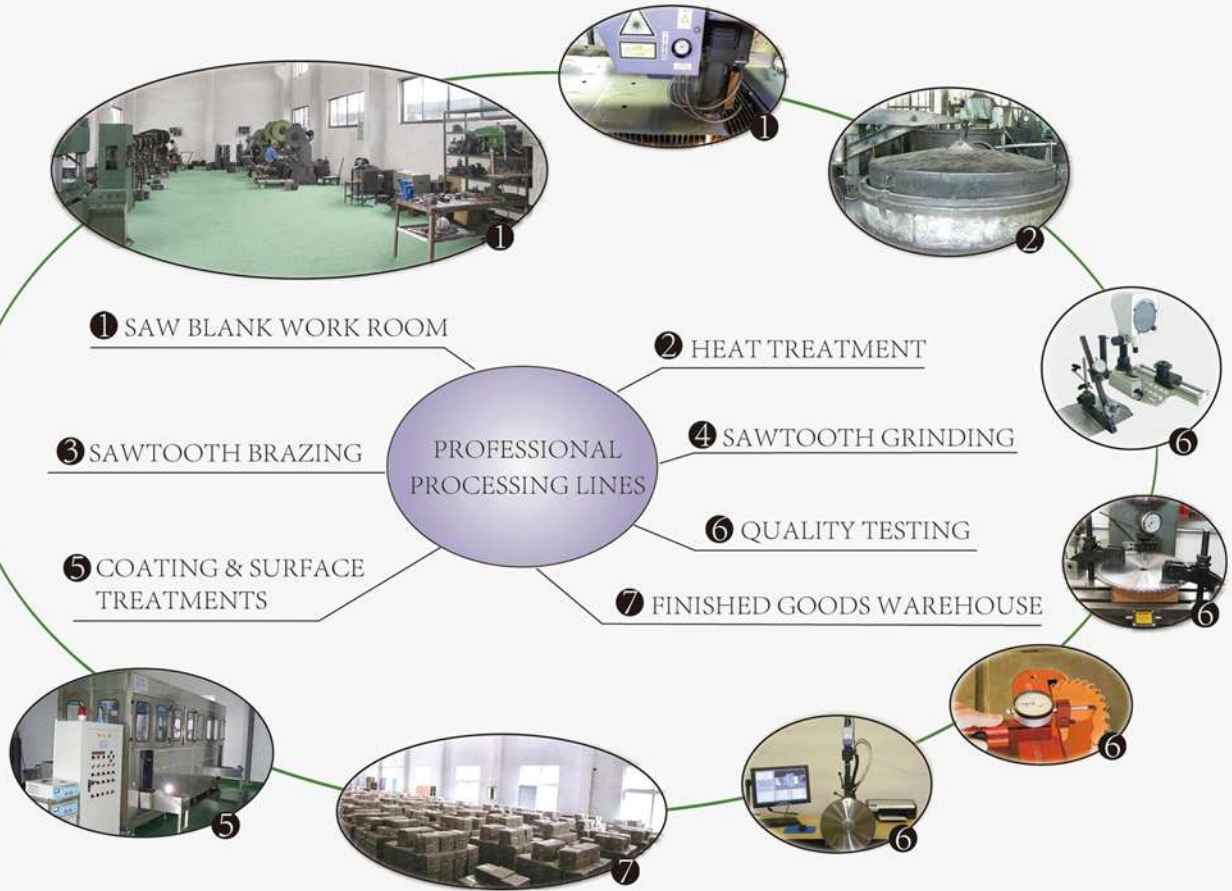


## Material supplier





# WEILONG CORE COMPETENCES



# FAIR



# Because **The Focus** So Professional

## ORDINARY WOODWORKING SAWBLADE

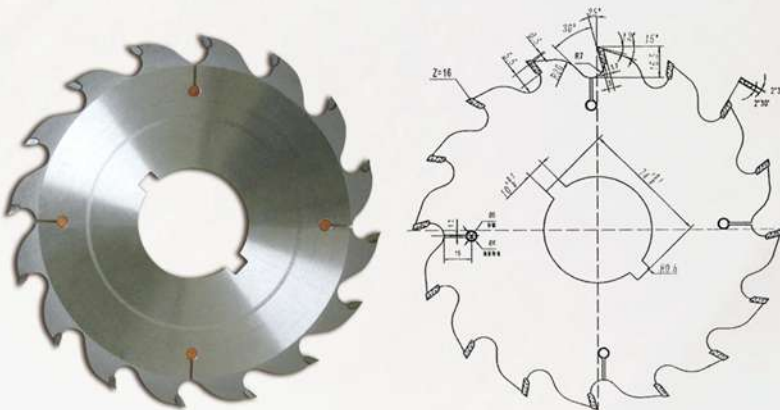


D(mm)	Z(teeth)	D(mm)	Z(teeth)
110	30,40	255	24,30,40,48,30,80,100,120
125	30,40	300	40,60,80,100,120
150	40,60	305	28,30,40,48,60,80,100,120
160	40,60	350	60,80,100,120
180	40,60,80	355	30,40,60,80,100,120
184	24,40,60	400	60,80,100,120
200	40,60,80	405	30,60,80,100,120
205	40,48,60,80	455	60,80,100,120
230	40,60,80,100	505	60,80,100,120

- Longer life
- Less wastage of wood
- With the longer life for steel body and carbide sawtooth and will enable higher feed rates
- The cutting surface is smooth and durability are perfect

Wood Cutter

## MULTI-RIPPING WOOD SAW BLADE



D(mm)	Z(teeth)	D(mm)	Z(teeth)
180	16,24	280	16,36
200	28	305	24,28,36,48
210	16	320	20,24
230	30	355	24,30,40,54
255	16,30,40	405	24,28,56

# WEILONG SAW BLADE SERIES

## Ultra thin kerf wood cutter



Wood Cutter

Fully-hardened, expertly-tensioned tool steel bodies for true and accurate cuts. High-grade, wear-resistant carbide tips for long life. Fine grit honing of carbide edge for clean, smooth cuts. All blades are ATB (Alternate Top Bevel) or ATAF (Alternate Top Alternate Face bevel) at 10°.

D(mm)	Kerf(mm)	Plate(mm)	Z(teeth)
100	1.1	0.7	30
125	1.1	0.7	42
147	1.4	0.8	40,52
165	1.6	1.0	40,52,60
190	1.6	1.0	52,60
195	2.0	1.4	80

## Panel sizing wood cutter



D(mm)	Z(teeth)
300	60,72,96
350	72,84,108
380	72
400	72,84
430	84
450	72,84



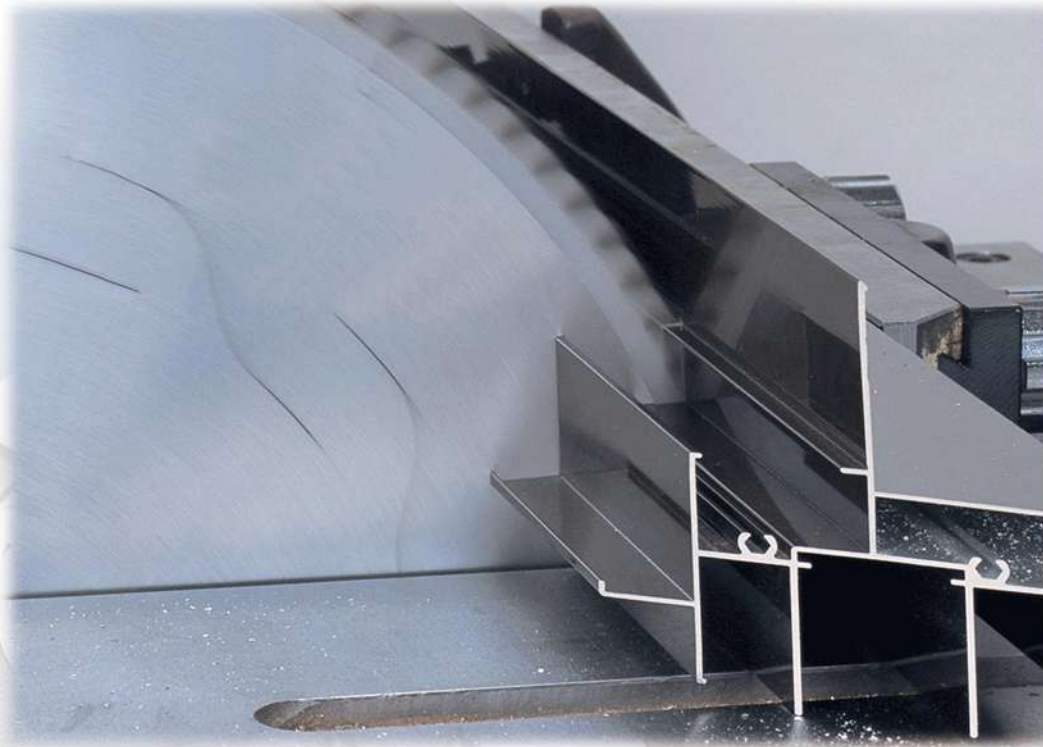
D(mm)	Z(teeth)
100	24
100	12+12
120	24
120	12+12
160	40
180	40
200	40

This kind of products is suitable for cutting laminated chipboard, MDF, multi-board with the thickness of less than 35mm. Used for the scoring of laminated, the scoring width can be adjusted by spacers.

Because The Focus  
So Professional

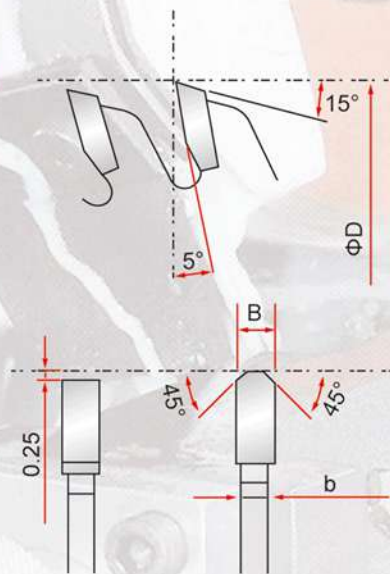
# ALUMINIUM CUTTER SERIES

Plastic & non-ferrous metals



Suitable for the cutting of aluminum alloy materials, nonferrous metals and some other materials with high quality and long cutting life.

Aluminium Cutter



D(mm)	Z(teeth)
205	100
255	80
255	100
255	120
305	100
305	120
355	100
355	120
405	100
405	120
455	100
455	120
500	120
500	144
600	144

# WEILONG SAW BLADE SERIES

## METAL CUTTER (MULTI CUTTING) SERIES

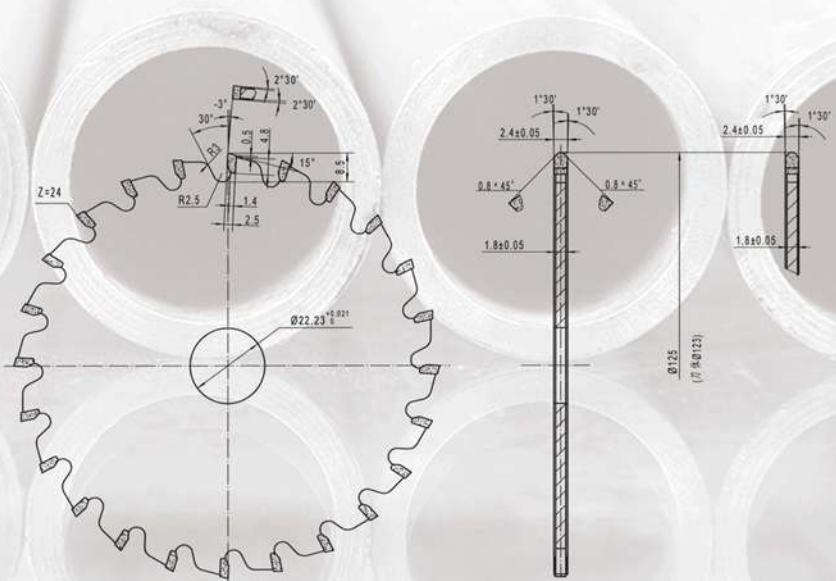


Metal Cutter

Specially carbide teeth for long life in metal cutting

Hard Body Blade (SK-5) 40 - 42 HRC Hardness

Precision angle cuts





# Because **The Focus** So Professional



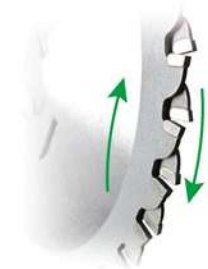
Diameter: 255mm.  
Max Speed: 3300RPM.  
Bore: 25.4mm.  
Kerf: 2mm.  
Teeth: 24.

Advanced TCT technology enables Steel, Aluminium and Wood (even wood with nails) to be cut with this single blade.

D(mm)	Z(teeth)	D(mm)	Z(teeth)
160	34	305	60
160	52	305	80
180	36	305	100
180	38	355	64
180	60	355	66
185	36	355	80
205	40	355	90
205	42	355	100
205	60	355	120
255	48	405	70
255	60	405	100
255	80	405	120
305	54	455	100
305	56	610	144

## Double cut saw blade

- Cuts through wood, plastic, metal and other materials
- Cuts cleanly without burning or melting
- Smooth cuts forward or backward
- Replacement blades available

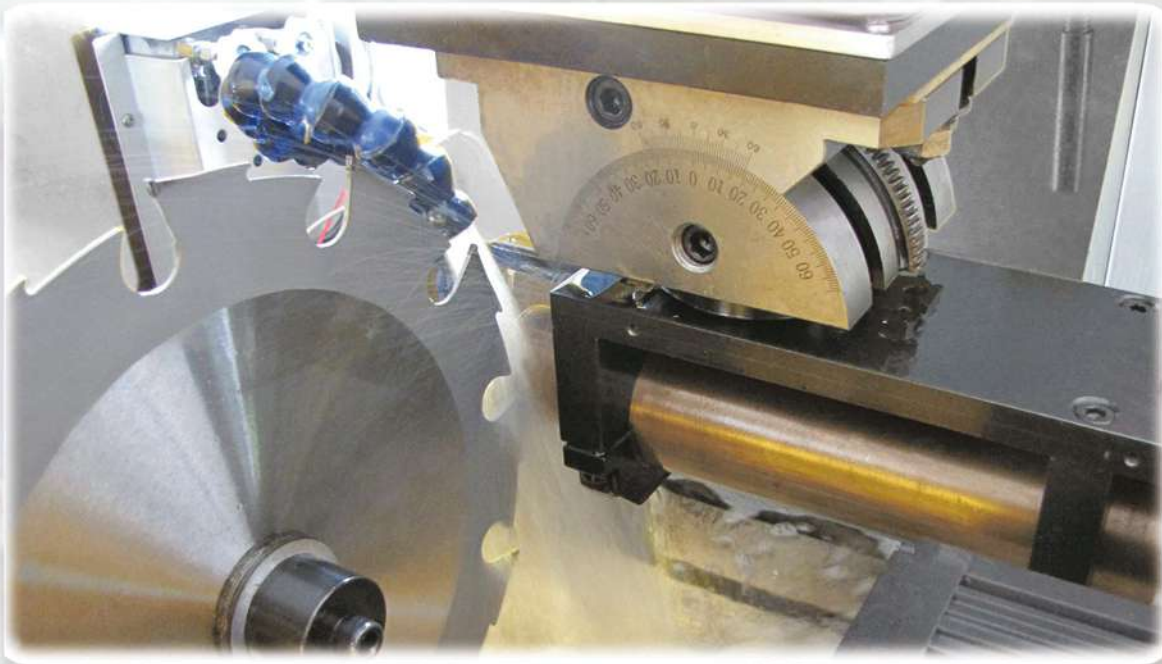


D(mm)	Z(teeth)
115	28+28
125	32+32
160	38+38

Metal Cutter

# WEILONG SAW BLADE SERIES

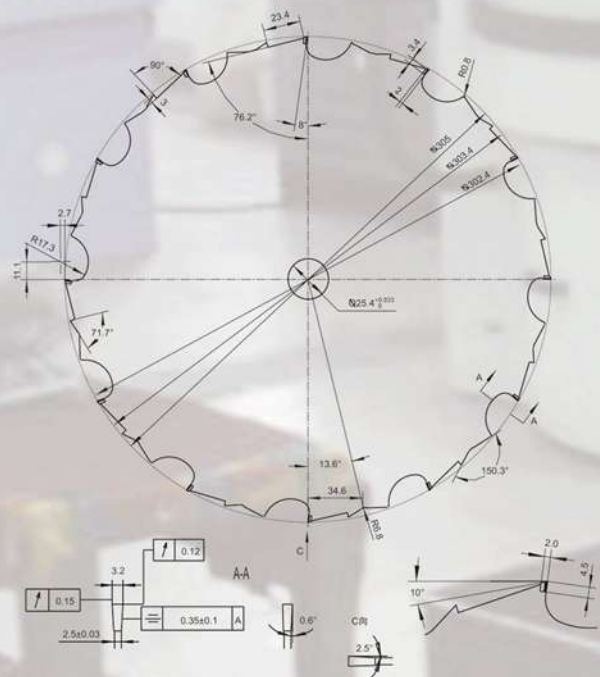
## PCD CUTTER SERIES



Pcd Cutter

PCD is both cutting and finishing work of PCE (polychlorinated biphenyl, Printed circuit board) it is usually most beneficial when tight tolerances or high surface finishes are required combined with the need for exceptionally long tool life.

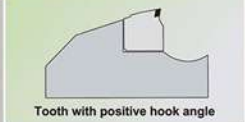
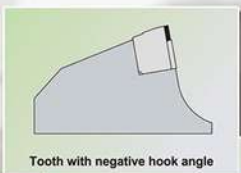
The product's life is longer even in the long-lasting working comparing with the ordinary carbide product. Base tools for Pcbboards are cutting. V-Cutter for scoring/V-cut of PC-boards.



# Because The Focus So Professional



Pcd Cutter



Extensively longer life time than tungsten carbide tipped saw blades  
 Outperforms regular PCD saw blades  
 More machine uptime  
 High process reliability due to single use concept

D(mm)	Z(teeth)
105	4,6,8,10
125	4,6,8,10
184	4,6,8,10,12
210	4,6,8,10,12
255	6,8,10,12,18,40,60
305	12,24,28,30,40,60
355	24,30,36,60,80

# WEILONG SAW BLADE SERIES

## GRASS CUTTER SERIES



Grass Cutter

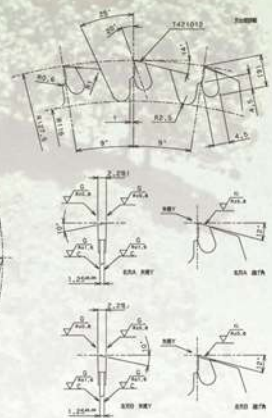
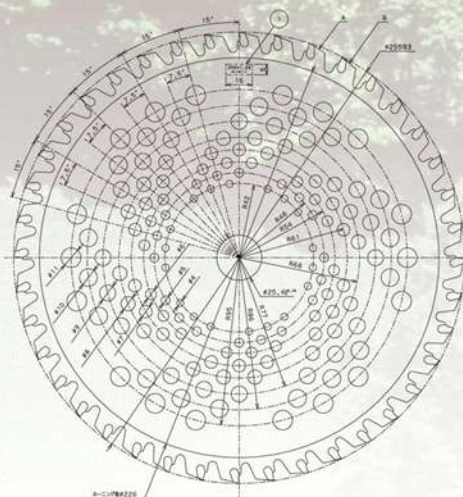
### 一般チップソー



### プロ仕様チップソー



**Super Light Weight**  
**Super Hard Carbide**  
**Super Smoother Cuts**  
**Super long Usage Life**



# Because **The Focus** So Professional



D(mm)	Z(teeth)
230	36
255	40



D(mm)	Z(teeth)
230	36
255	40



D(mm)	Z(teeth)
230	32
255	36



D(mm)	Z(teeth)
230	36
255	36



D(mm)	Z(teeth)
230	24
255	30



D(mm)	Z(teeth)
230	36
255	40



D(mm)	Z(teeth)
255	36+36



D(mm)	Z(teeth)
230	40
255	40



D(mm)	Z(teeth)
230	36
255	40



D(mm)	Z(teeth)
255	40
255	54
255	60



D(mm)	Z(teeth)
230	36
255	40



D(mm)	Z(teeth)
230	60
255	60

Grass Cutter

# WEILONG SAW BLADE SERIES

## PACKING DESIGN



SLIDE CARD



COLOUR BOX



SKIN CARD



PLASTIC BOX



SLIDE CARD SLIDE CARD



CD-BOX



PLASTIC PALLET



ALUMINUM POLY BAG WITH HEADER BOX



PLASTIC BOX



WOOD BOX



ALUMINUM BOX



PLASTIC BOX



PLASTIC BOX



TUBE, TRANSPARENT, PLASTIC



PACKAGE, TRANSPARENT, PLASTIC



BOARD, TRANSPARENT, PVC



Packing Design

Because **The Focus**  
**So Professional**

## COATING OPTIONS

### Coating options

We offer a variety of different coating treatments upon demand, including teflon coating, titanium coating, and a different color treatments.

Coating options



# SALES NETWORK



## Visit Us

Add: No.2 QiLin Road, Danyang Economic Development Zone, Jiangsu, P.R.China

## Calling Us

Tel: 0086-511-86963711

Fax: 0086-511-86965309

## Website

[Http://www.weilong-tools.com](http://www.weilong-tools.com)

## Contact Us

E mail: [kevin@wl-saw.com](mailto:kevin@wl-saw.com)

MSN/Skype: [weilongtools@hotmail.com](mailto:weilongtools@hotmail.com)

M.P.: 0086-139-2157-8372

